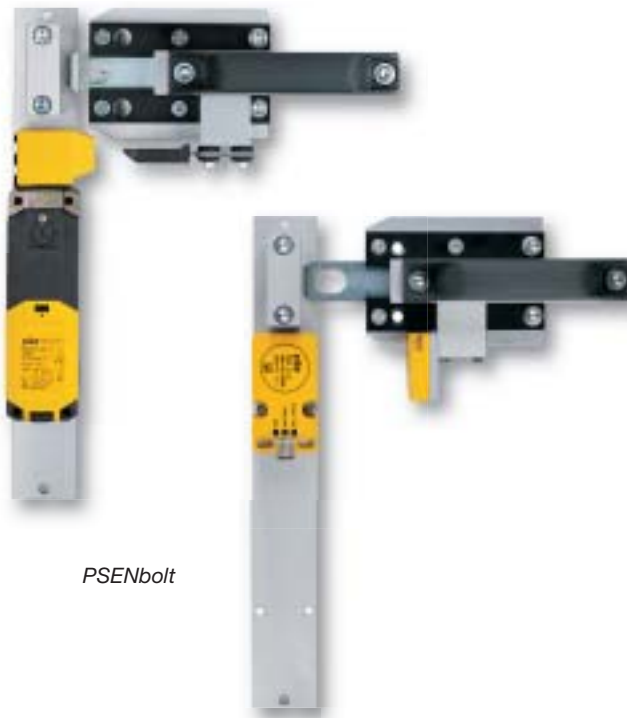




► Safety bolt PSEnbolt



PSEnbolt

Longer service life for the integrated safety switch

PSEnbolt safety bolts are used in conjunction with safety switches. The actuator is mechanically guided into the actuator head of the safety switch. This guarantees that the actuator is inserted correctly into the safety switch when the guard is closed. At the same time it provides mechanical protection for the switch.

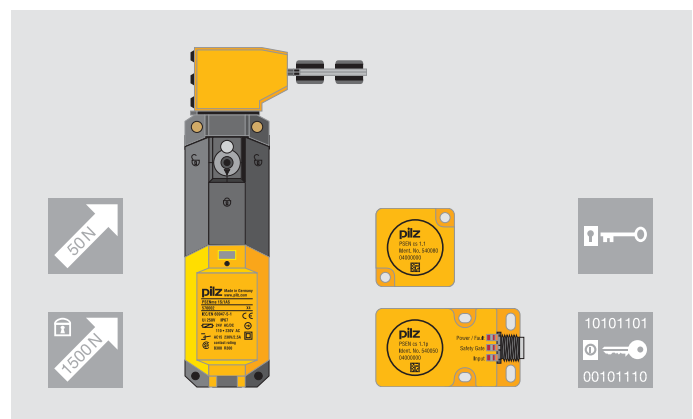
The safe, complete solution

Two applications can be implemented with just the one type: Guard locking in conjunction with PSEnmech or non-contact in conjunction with PSEncode.

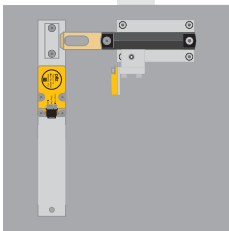
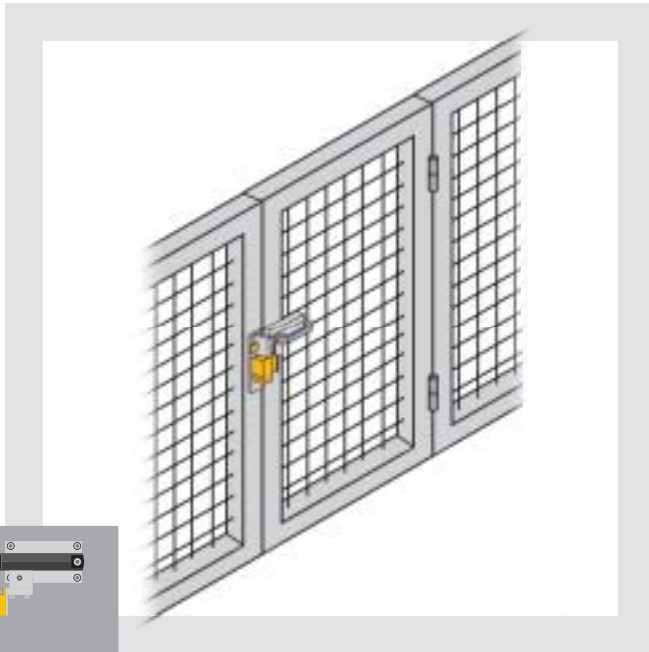
... for safety gates in a rugged industrial environment

According to the standard EN 1088, hazardous machine movements must be stopped when a guard is opened and a restart must be prevented. It must not be possible to either defeat (VDE 060) or manipulate (EN 1088) these guards.

For safety gates that are difficult to adjust or in areas where safety gates are opened and closed frequently, PSEnbolt is particularly suitable because a long material service life must be guaranteed as well as providing protection against defeat and manipulation.



PSEnbolt used with PSEnme1 and PSEncode.



Your benefits at a glance

- ▶ Safe, complete solution comprising safety switch, handle and bolt in conjunction with Pilz evaluation devices
- ▶ Two combinations are possible: with guard locking in conjunction with PSENmech or non-contact in conjunction with PSENcode
- ▶ Excellent protection against manipulation and defeat integrated within the bolt through coding of the safety switch PSENcode
- ▶ Emergency release available as an option
- ▶ Simple installation thanks to standard assembly holes
- ▶ Robust, cost-saving solution
- ▶ Suitable for left and right hinged gates

Selection guide – PSEnbolt safety bolt

Type	Can be combined with	Emergency release	Locking pin	Order number
PSEN b1	PSEN me1 or PSEN cs	-	-	540010
PSEN b2	PSEN me1 or PSEN cs	◆	◆	540020



Keep up-to-date on safety bolts PSEnbolt:

Webcode 0307

Online information at www.pilz.com